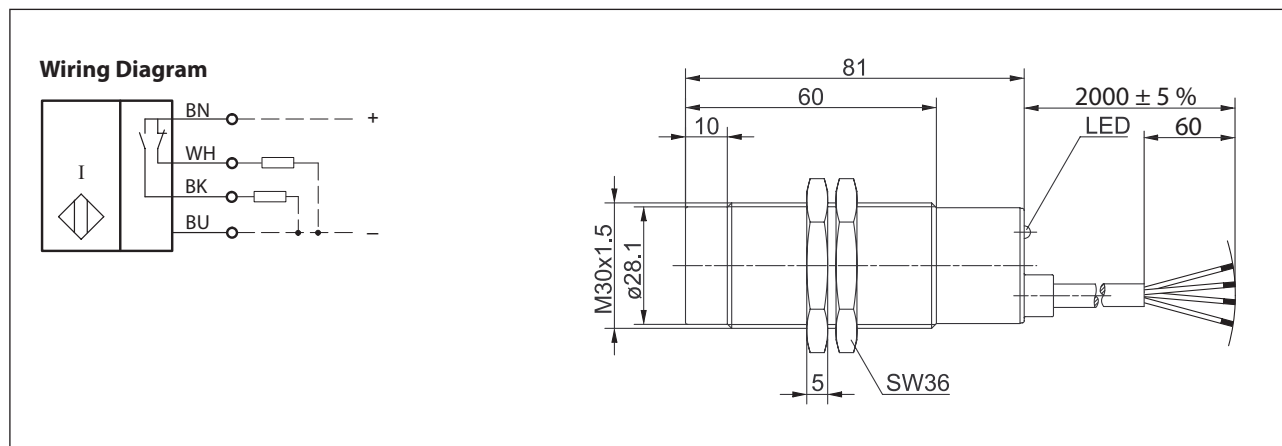


## Inductive Proximity Switch Series M30

Description **KIN-M30PU/015-KL2**

Article number **6502808001**



### Identifying characteristics in accordance with EN 60947-5-2

| Electrical data                  |           |  |
|----------------------------------|-----------|--|
| Rated operating distance         | $S_n$     | 15 mm                                    |
| Standard target                  |           | 45 mm x 45 mm, t = 1 mm; Material: FE360 |
| Real sensing distance            | $S_r$     | 13,5 ... 16,5 mm                         |
| Assured operating distance       | $S_a$     | 0 ... 12,2 mm                            |
| Switching element function       |           | DC, Complementary                        |
| Repeat accuracy                  | R         | ≤ 5 %                                    |
| Differential travel (hysteresis) | H         | ≈ 10 %                                   |
| Operational voltage range        | $U_B$     | 10 - 60 V DC                             |
| Rated insulation voltage         | $U_i$     | 75 V DC                                  |
| Rated impulse withstand voltage  | $U_{imp}$ | 500 V                                    |
| Voltage drop                     | $U_d$     | ≤ 2,5 V                                  |
| Utilization category             |           | DC-13                                    |
| Rated operational current        | $I_e$     | ≤ 200 mA                                 |
| Minimum operating current        | $I_m$     | 1 mA                                     |
| Off-state current                | $I_r$     | < 0,1 mA                                 |
| No-load supply current           | $I_o$     | < 8,1 mA                                 |
| Switching element                |           | Permanent overload and s.c.p.            |
| Short-circuit protection         |           | pulsed                                   |
| Frequency of operating cycles    | f         | 100 Hz                                   |
| Mounting                         |           | non flush                                |
| False polarity protection        |           | yes                                      |
| Time delay before availability   | $t_v$     | < 50 ms                                  |

| <b>Mechanical Data</b>  |  |
|-------------------------|--|
| Front cap               | LCP, black   |
| Enclosure               | Brass, nickel plated   |
| Endcap                  | PA 12, black   |
| Ambient air temperature | -25 °C ... +70 °C  |
| Type of protection      | IP67   |
| Degree of pollution     | 3 (pollution of the active region, there can may be a deterioration of the operating distance) |
| Indication              | LED yellow   |
| Termination type        | Cable 3 x 0,5 mm <sup>2</sup> , PVC - Outer jacket, black                                      |
| For attachment          | 2 x hexagon nut  |

| <b>EU Conformity</b>                                 |  |
|--|--|
| acc. to directive 2014/35/EU (Low-Voltage-Directive) |  |